

IS 2360 DE ECO 8m

white
EAN 4007841 034733
Article number 034733



infrared sensor 360°



max. 4 m

1000 W

1000 W max.



IP54



2 - 2000 lux



8 sec - 35 min



energy saving

5 years

manufacturer's
warranty steinel-
professional.de/
garantie



CE

Function description

Intelligent technology for installation. Infrared wall sensor IS 2360 DE ECO, for indoors and out, ideal for installing in projecting roofs and suspended ceilings, 360° angle of coverage, reach can be set up to 8 m in diameter, selectable time and twilight threshold, detection zone can be customised with shrouds.

Technical specifications

Dimensions (Ø x H)	78 x 89 mm	LED lamps > 8 W	350 W
With motion detector	Yes	Capacitive load in µF	132 µF
Manufacturer's Warranty	5 years	Technology, sensors	passive infrared, Light sensor
Settings via	Potentiometers	Mounting height	2,2 – 4 m
With remote control	No	Mounting height max.	4,00 m
Version	white	Optimum mounting height	2,5 m
PU1, EAN	4007841034733	Detection angle	360 °
Type	Motion detectors	Angle of aperture	180 °
Application, place	Outdoors, Indoors	Sneak-by guard	Yes
Application, room	corridor / aisle, changing room, function room / ancillary room, kitchenette, stairwell, WC / washroom, outdoors, front door, all round the building, terrace / balcony, Indoors	Capability of masking out individual segments	Yes
Colour	white	Electronic scalability	No
Colour, RAL	9010	Mechanical scalability	No
Includes corner wall mount	No	Reach, radial	Ø 4 m (13 m ²)
Installation site	ceiling	Reach, tangential	Ø 8 m (50 m ²)
		Switching zones	304 switching zones
		Cover material	shrouds

Motion detector - Professional Line

IS 2360 DE ECO 8m

white
EAN 4007841 034733
Article number 034733



Technical specifications

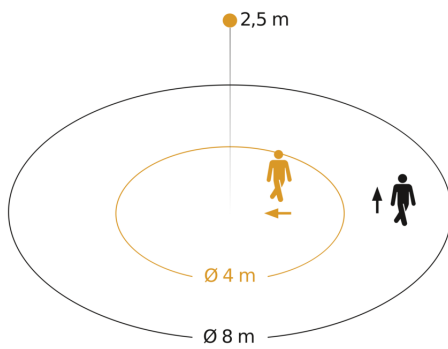
Installation	In-ceiling installation, Ceiling
IP-rating	IP54
Protection class	II
Ambient temperature	from -20 up to 40 °C
Material	Plastic
Mains power supply	220 – 240 V / 50 – 60 Hz
Fluorescent lamps, electronic ballast	350 W
Fluorescent lamps, uncorrected	500 VA
Fluorescent lamps, series-corrected	500 VA
Fluorescent lamps, parallel-corrected	500 VA
Switching output 1, low-voltage halogen lamps	1000 VA
LED lamps < 2 W	100 W
LED lamps > 2 W < 8 W	175 W

Twilight setting	2 – 2000 lx
Time setting	8 s – 35 Min.
Basic light level function	No
Main light adjustable	No
Twilight setting TEACH	No
Constant-lighting control	No
Interconnection	Yes
Type of interconnection	Master/master
Interconnection via	Cable
Product category	Motion detector

IS 2360 DE ECO 8m

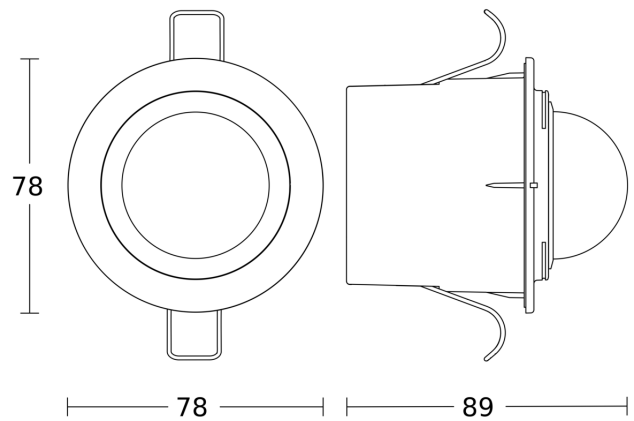
white
EAN 4007841 034733
Article number 034733

Detection Zone



Possible mounting height: 2,20 m - 4,00 m
Orange: radial
Black: tangential

Dimension Drawing



Circuit diagram

